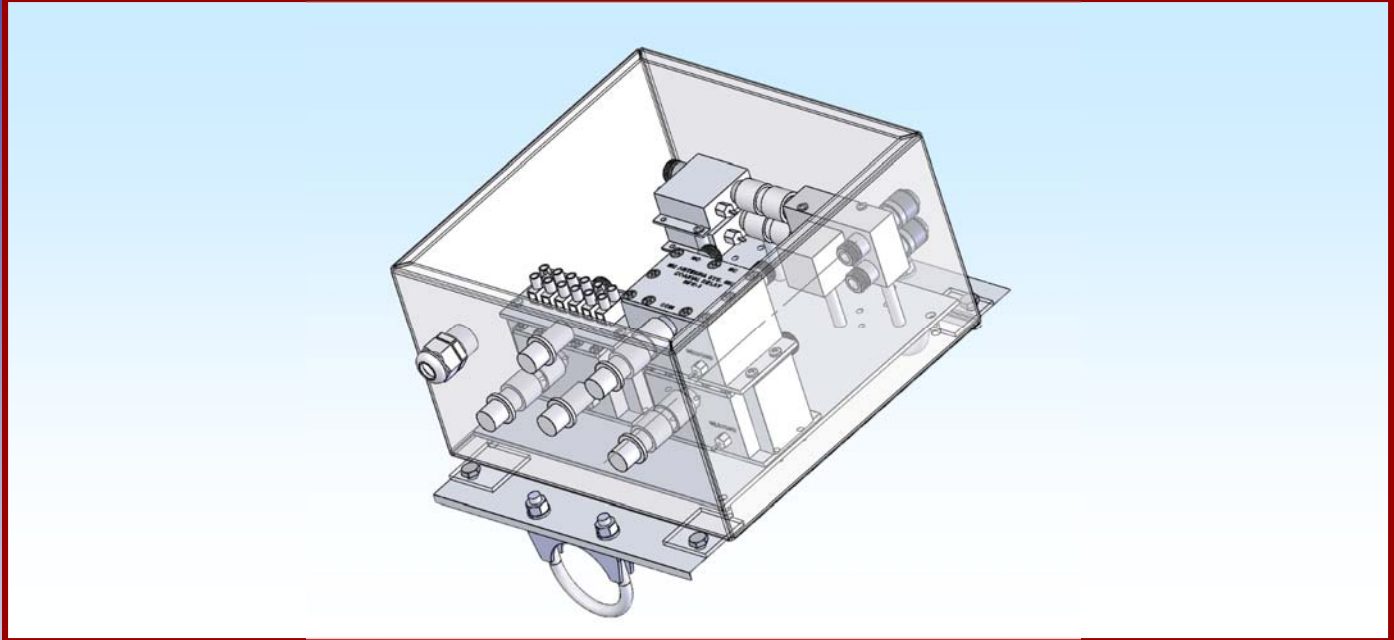




M2 Antenna Systems, Inc. Model No: Relay/Preamp Housing with MAP65

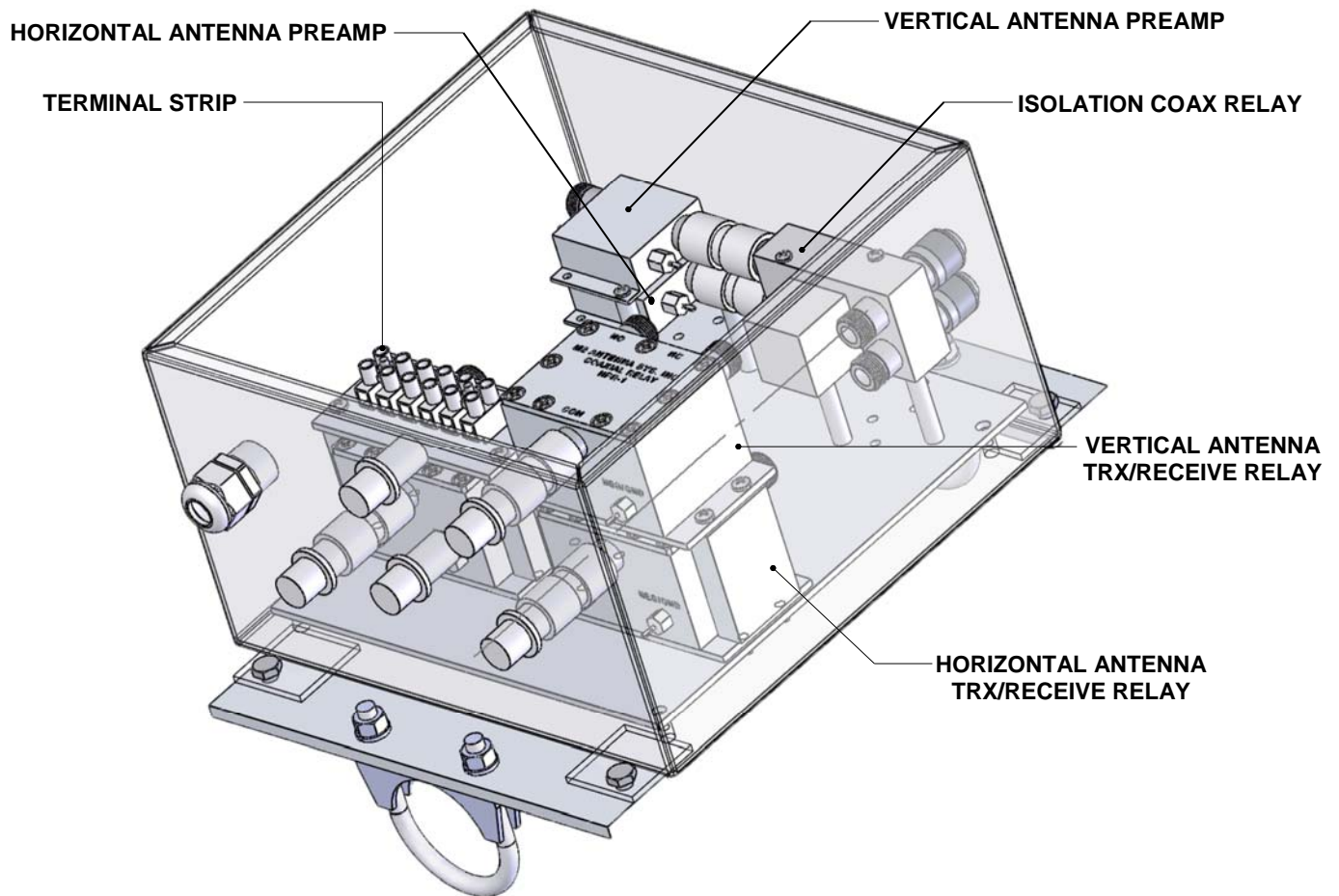
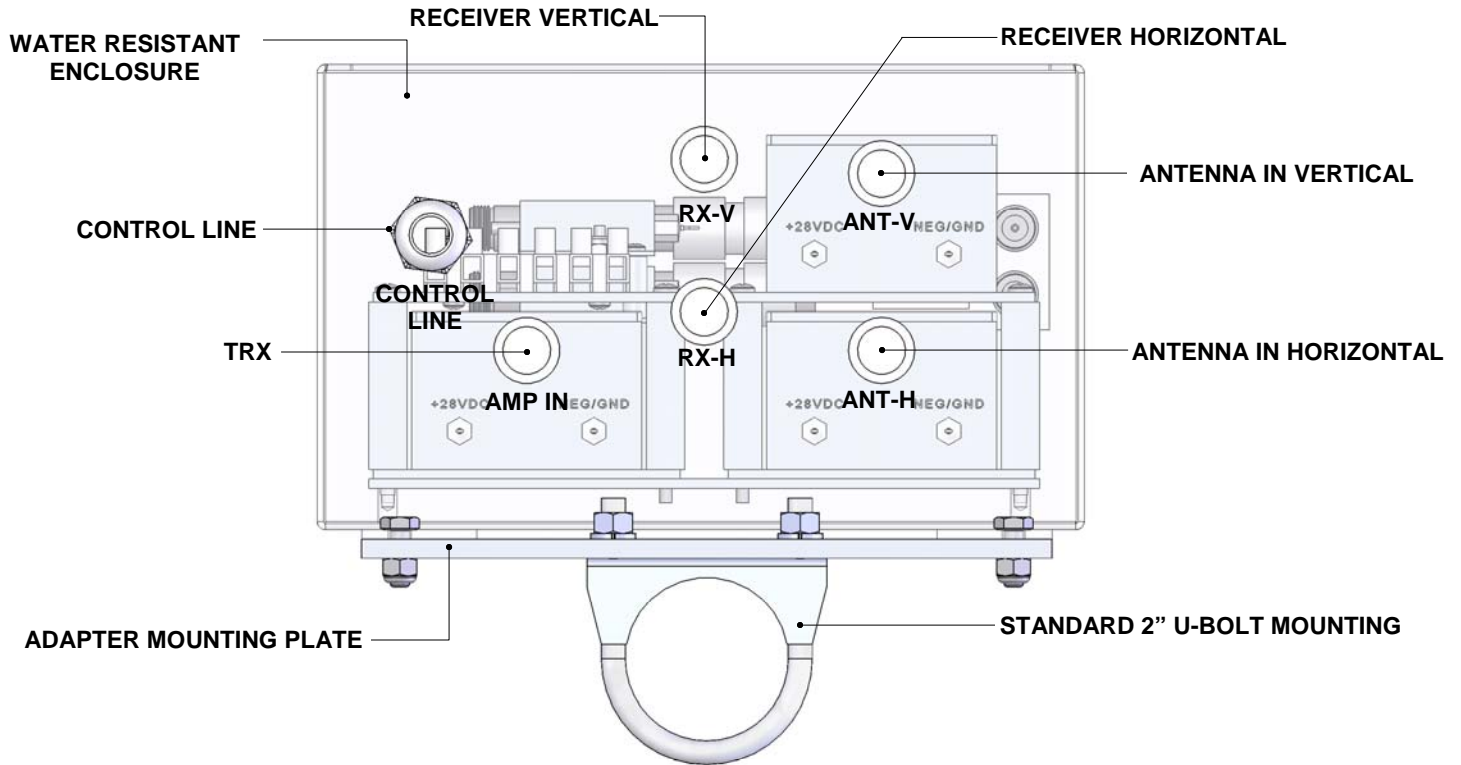


SPECIFICATIONS:

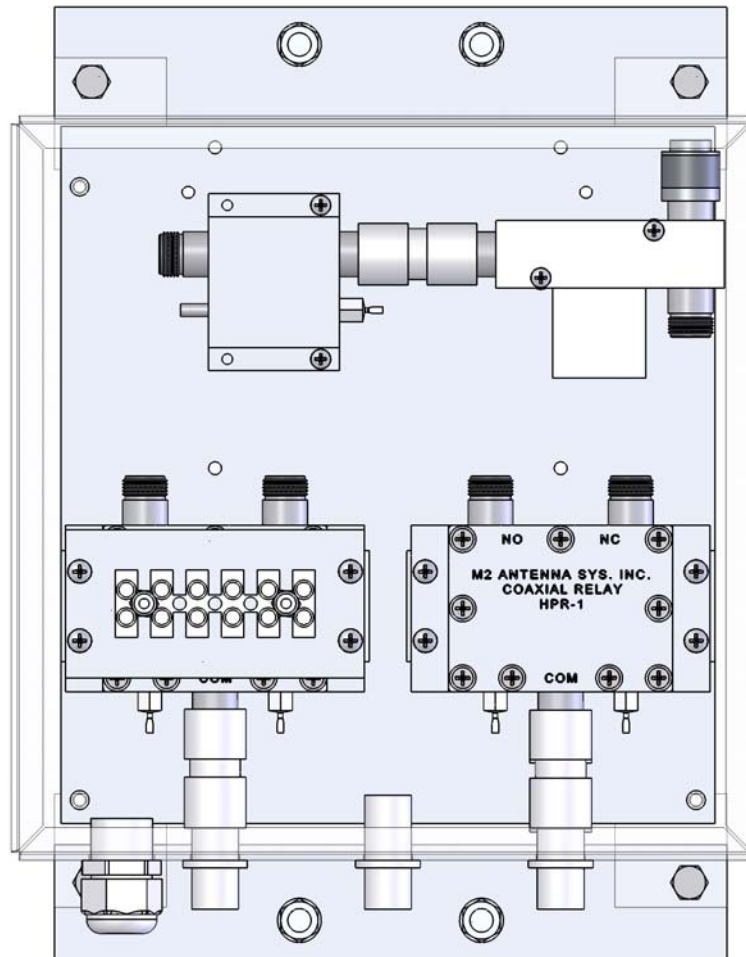
MODEL NUMBER.....	PREAMP/RELAY HOUSING
PREAMP (VHF).....	12 VDC @ 1 AMP
COAX SWITCH (M2 HPR-1).....	24 VDC @ 1 AMP
ISOLATION COAX RELAY.....	12 VDC @ 1 AMP (>85 dB @ 144 MHz)
ENCLOSURE SIZE.....	W=8" / H=6" / D=8"
COLOR.....	GREY
CONTROLLER (RECOMMENDED).....	M2 S2 SEQUENCER
CONTROL WIRE.....	8 CON. # 22 GA. (MINIMUM*)
MOUNTING.....	2" U-BOLT / ADAPTABLE

*DEPENDENT ON CABLE LENGTH

Componets & Input Panel Overview



Relay/Preamp Housing Terminal Assignments



Terminal assignments are very important, so take your time when doing the wiring. Verify voltages on **M2 EME S2 Sequencer** before connecting to the housing. Damage can be caused to the preamp and power relays if connections are made incorrectly. **Wiring detail is for a MAP65 System.*

TERMINAL 1: +12 VDC to power both preamps during receive.

Terminal # 1 from the M2 EME Sequencer S2. RX = +12V, TX = 0V referenced to relay housing, terminal 6.

TERMINAL 2: This is for the CX800N Coaxial Relay control. When the sequencer is "Keyed", the CX800N Relay will switch to a N.O. State. This relay provides the additional Isolation required for MAP65.

Terminal # 2 from the M2 EME Sequencer S2. RX = 0V, TX = +12V referenced to relay housing, terminal 6.

TERMINAL 3: Vertical / Horizontal Relay control lines. When the sequencer is "Keyed", this will switch the HPR-1 polarity relays to the transmit (N.O.) state.

Terminal # 3 from the M2 EME Sequencer S2. RX = 0V, TX = -27V referenced to relay housing, terminal 4.

TERMINAL 4: Constant +27 VDC to power the HPR-1 Vertical / Horizontal polarity relays.

Terminal # 8 from the M2 EME Sequencer S2. Referenced to relay housing, terminal 6.

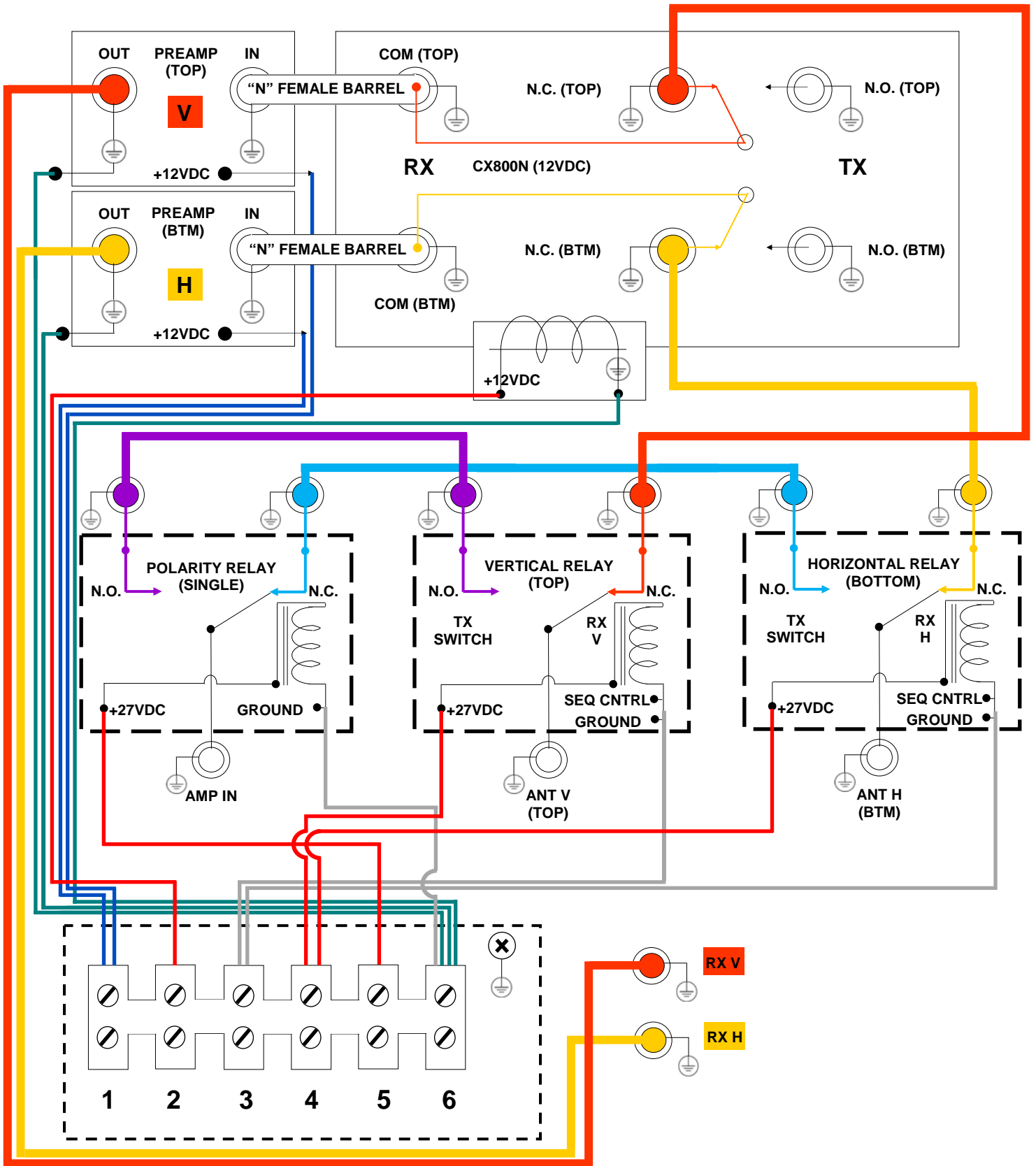
TERMINAL 5: Switched +27 VDC to control the transmit polarity relay. Controlled by the S2 sequencer polarity switch.

Terminal # 7 from the M2 EME Sequencer S2. H = 0V, V = +27V referenced to relay housing, terminal 6.

TERMINAL 6: Chassis / Ground

Terminal #10 from the M2 EME Sequencer S2

EME Relay/Preamp Housing (MAP65) Schematic Rev C.



EME Relay/Preamp Housing (MAP65) Parts List

DESCRIPTION.....	QTY
RELAY / PREAMP HOUSING	1
MOUNTING PLATE, .250 X 1.5" X 9".....	2
USER MANUAL	1

IN HARDWARE BAGS:

U-BOLT & CRADLE, 2"	2
NUT, 5/16-18 HEX.....	4
WASHER, 5/16.....	4
BOLT, 1/4-20 X 3/4" SS.....	4
NUT, 1/4-20 LOCKING	4

M² ANTENNA SYSTEMS, INC.

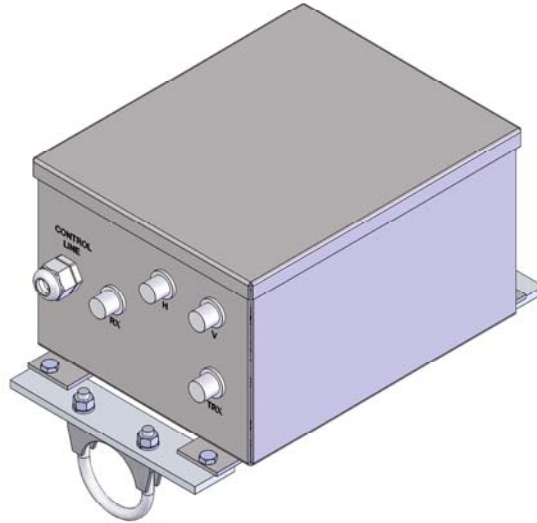
4402 N. SELLAND AVE.

FRESNO, CA 93722

(559) 432-8873 FAX: 432-3059

www.m2inc.com Email: sales@m2inc.com

12 Month Limited Warranty Information



This warranty gives you specific legal rights. You may also have other rights which will vary from state to state or province to province.

M2 warrants the **RELAY / PREAMP HOUSING** unit against defects in material and workmanship for a **period of 12 months** from date of purchase. During the warranty period, **M2** will, at its option, either repair or replace products or components which prove to be defective. The warranty shall not apply to defects or damage resulting from:

- Improper or inadequate maintenance by user
- Improperly prepared installation site
- Unauthorized modifications or misuse
- Accident, abuse, or misapplication
- Normal wear

M2 specifically does not warrant this product for any direct, indirect, consequential, or incidental damages arising from the use or inability to use the product. Some states or provinces do not allow the exclusion or limitation of liability for consequential or incidental damages so the above limitation may not apply.

In the event repair or replacement are necessary, purchaser shall contact **M2** for return authorization. In many cases this contact can simplify and expedite the repair / replacement process and help reduce costs and downtime.

The purchaser shall be responsible for packing the product properly for return and for charges to ship the product to **M2**. Always include with the shipment, a statement detailing the problem / failure and any other pertinent observations. Insuring the product for shipment is recommended. Use the original packing materials whenever possible. **M2** is responsible for charges **(in the United States)** to return the repaired / replacement product only where warranty service is involved.